

DIMENSIONS— INCHES & [mm]

REV.	ECO/DDC	DESCRIPTION	DATE	DRAFT	CHECK	APV'D
A	----	RELEASED.	02-18-21	V.J.C.	J.M.	V.J.C.

MOUNT MATERIAL	CAPACITY LBS [MT]	A	B	C	D	E	F	øG	øH	J	K	L	M
STAINLESS STEEL MOUNT	5-20KLB [2.2MT-9.1MT]	11.00 [279.4]	8.00 [203.2]	8.00 [203.2]	4.00 [101.6]	5.50 [139.7]	3.00 [76.2]	1.06 [26.9]	.56 [14.2]	5.31 [134.9]	.75 [19.1]	.50 [12.7]	6.875 [174.63]
PLATED ALLOY STEEL MOUNT	5-20KLB [2.2MT-9.1MT]	11.00 [279.4]	7.00 [177.8]	8.00 [203.2]	4.00 [101.6]	5.50 [139.7]	3.00 [76.2]	1.06 [26.9]	.56 [14.2]	5.31 [134.9]	.75 [19.1]	.50 [12.7]	6.875 [174.63]
STAINLESS STEEL MOUNT AND PLATED ALLOY STEEL MOUNT	30-60KLB [13.6MT-27.2MT]	15.00 [381.0]	10.00 [254.0]	11.50 [292.1]	6.00 [152.4]	8.00 [203.2]	5.13 [130.3]	1.19 [30.2]	.69 [17.5]	8.43 [214.1]	1.00 [25.4]	.75 [19.1]	8.500 [215.9]
	100-150KLB [45.3MT-68.0MT]	18.00 [457.2]	12.00 [304.8]	14.00 [355.6]	9.00 [228.6]	10.00 [254.0]	7.50 [190.5]	1.38 [35.1]	.81 [20.6]	10.38 [263.7]	1.25 [31.8]	1.25 [31.8]	9.500 [241.3]
	200-250KLB [90.7MT-113.4MT]	26.00 [660.4]	12.00 [304.8]	20.00 [508.0]	6.00 [152.4]	12.00 [304.8]	9.00 [228.6]	1.88 [47.8]	1.06 [26.9]	16.75 [425.4]	2.00 [50.8]	2.00 [50.8]	13.000 [330.2]

LOAD CELL MOUNT MODEL NUMBERS

CAPACITY LBS [MT]	MODEL NUMBER STAINLESS STEEL	MODEL NUMBER PLATED ALLOY STEEL
5-20KLB [2.2MT-9.1MT]	HIDSBMT-SS-5-20KLB	HIDSBMT-AS-5-20KLB
30-60KLB [13.6MT-27.2MT]	HIDSBMT-SS-30-60KLB	HIDSBMT-AS-30-60KLB
100-150KLB [45.3MT-68.0MT]	HIDSBMT-SS-100-150KLB	HIDSBMT-AS-100-150KLB
200-250KLB [90.7MT-113.4MT]	HIDSBMT-SS-200-250KLB	HIDSBMT-AS-200-250KLB

APPLICABLE LOAD SENSORS (LOAD SENSORS NOT INCLUDED)

MOUNT MODEL NUMBER STAINLESS STEEL	MOUNT MODEL NUMBER PLATED ALLOY STEEL	CAPACITY LBS [KN]	LOAD SENSOR STAINLESS STEEL	LOAD SENSOR PLATED ALLOY STEEL
HIDSBMT-SS-5-20KLB	HIDSBMT-AS-5-20KLB	5KLB [2.2MT]	HIDBS01-5KLB	HIDBS02-5KLB
		10KLB [4.5MT]	HIDBS01-10KLB	HIDBS02-10KLB
		15KLB [6.8MT]	HIDBS01-15KLB	HIDBS02-15KLB
		20KLB [9.1MT]	HIDBS01-20KLB	HIDBS02-20KLB
HIDSBMT-SS-30-60KLB	HIDSBMT-AS-30-60KLB	30KLB [13.6MT]	HIDBS01-30KLB	HIDBS02-30KLB
		40KLB [18.1MT]	HIDBS01-40KLB	HIDBS02-40KLB
		50KLB [22.7MT]	HIDBS01-50KLB	HIDBS02-50KLB
		60KLB [27.2MT]	HIDBS01-60KLB	HIDBS02-60KLB
HIDSBMT-SS-100-150KLB	HIDSBMT-AS-100-150KLB	100KLB [45.3MT]	HIDBS01-100KLB	HIDBS02-100KLB
		150KLB [68.0MT]	HIDBS01-150KLB	HIDBS02-150KLB
HIDSBMT-SS-200-250KLB	HIDSBMT-AS-200-250KLB	200KLB [90.7MT]	HIDBS01-200KLB	HIDBS02-200KLB
		250KLB [113.4MT]	HIDBS01-250KLB	HIDBS02-250KLB

5. DO NOT WELD LOAD CELL MOUNT TO VESSEL/FOUNDATION WITH LOAD SENSOR INSTALLED.

4. LOAD CELL MOUNT IS SUPPLIED WITH THE FOLLOWING:

- BASE MOUNTING PLATE, QTY 1
- LOAD BAR, QTY 2
- LOAD CELL MOUNTING BOLT, QTY 2
- LOAD CELL MOUNTING BOLT WASHER, QTY 2
- UPPER LOAD BRACKET, QTY 1
- LOAD PIN, QTY 1
- LIFT-OFF PIN, QTY 1

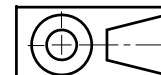
3. LOAD SENSOR IS NOT SUPPLIED WITH LOAD CELL MOUNT.
SEE TABLE FOR LOAD SENSOR COMPATIBILITY.

2. SHEET 2 FOR LOAD CELL MOUNT DIMENSIONS.

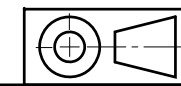
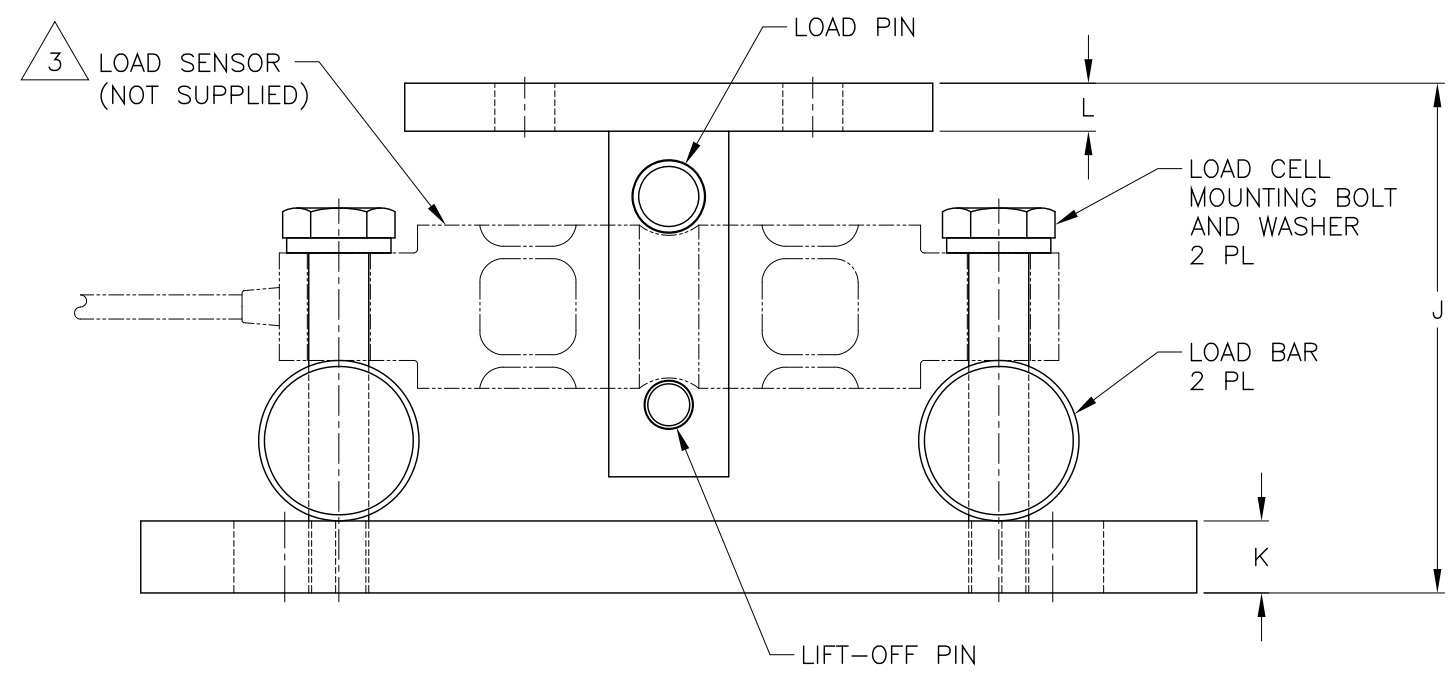
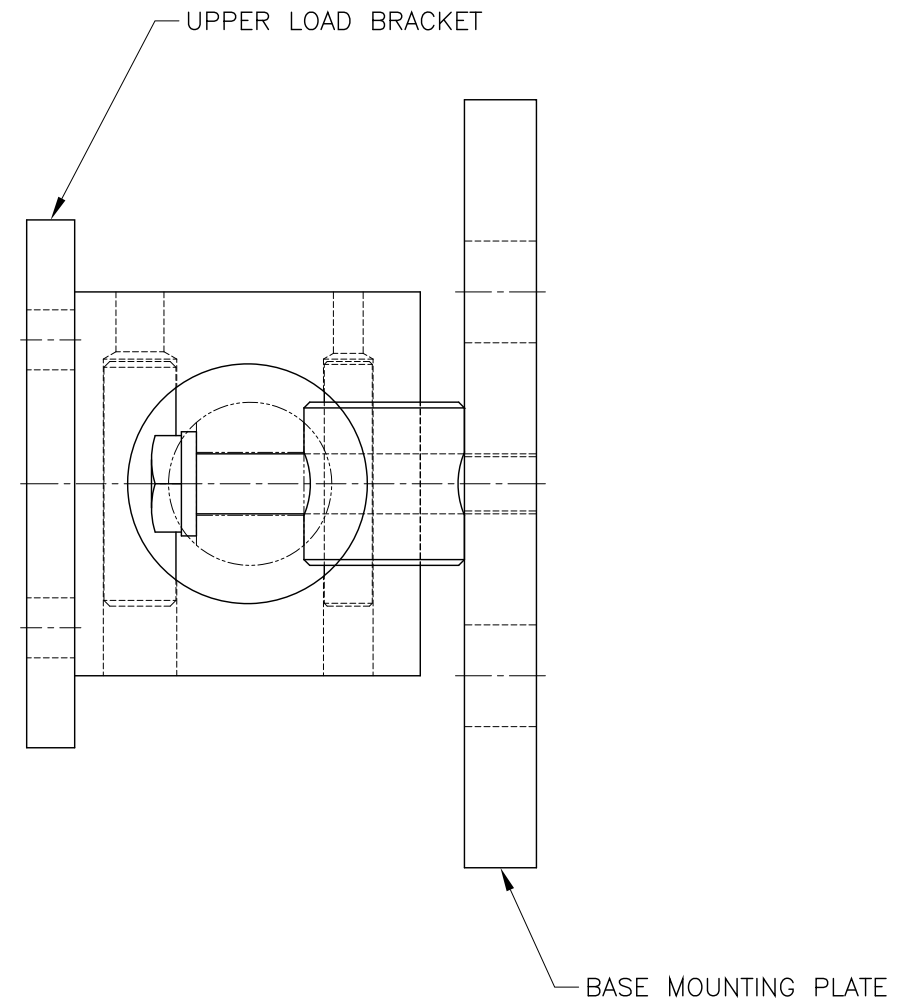
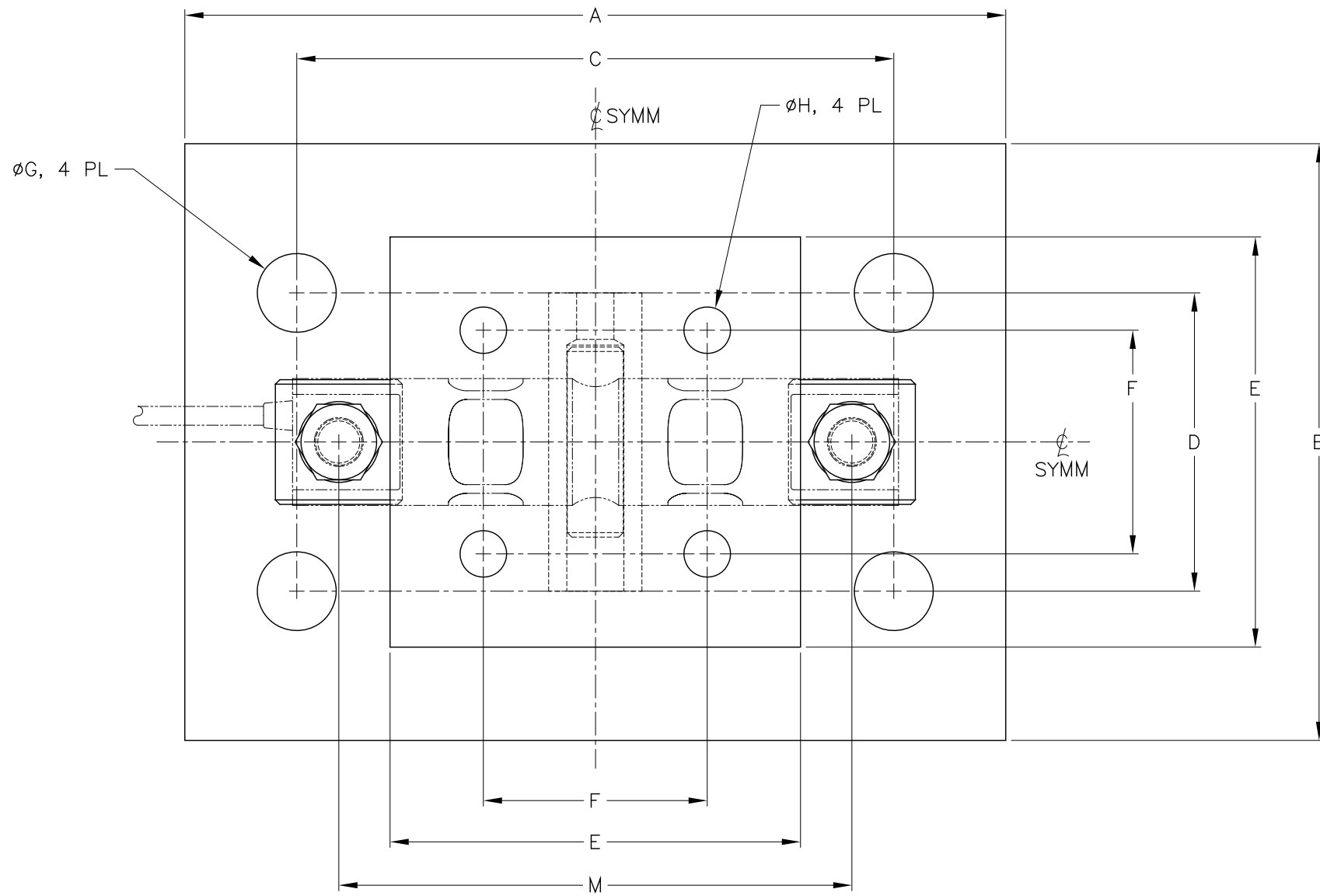
1. THIS DRAWING IS SUBJECT TO CHANGE WITHOUT NOTICE.

NOTES: UNLESS OTHERWISE SPECIFIED

PROPRIETARY NOTICE
ALL DATA AND INFORMATION CONTAINED IN OR DISCLOSED BY THIS DOCUMENT IS CONFIDENTIAL AND PROPRIETARY INFORMATION OF HARDY PROCESS SOLUTIONS INC. AND ALL RIGHTS THEREIN ARE EXPRESSLY RESERVED. BY ACCEPTING THIS MATERIAL THE RECIPIENT AGREES THAT THIS MATERIAL AND THE INFORMATION CONTAINED THEREIN IS HELD IN CONFIDENCE AND IN TRUST AND SHALL NOT BE USED, COPIED, REPRODUCED IN WHOLE OR IN PART, NOR ITS CONTENTS REVEALED IN ANY MANNER TO OTHERS, EXCEPT TO MEET THE SPECIFIC PURPOSE FOR WHICH IT WAS DELIVERED.



		0588-0207	OUTLINE DRAWING, LOAD CELL MOUNT, HIDSBMT SERIES										
ITEM	QTY	PART NUMBER	DESCRIPTION	COMMENTS									
PARTS LIST													
UNLESS OTHERWISE SPECIFIED DIMENSIONS ARE IN INCH [MM] TOLERANCES ARE: FRACTIONS: N/A DECIMALS: .XX = ±.03 [.8] .XXX = ±.010 [.25] ANGLES: ±0°, 30'		CONTRACT NO.		HARDY PROCESS SOLUTIONS									
		APPROVALS											
DRAWN		DATE											
V. CHULA		02-18-21											
CHECKED		DATE		OUTLINE DRAWING, LOAD CELL MOUNT, HIDSBMT SERIES									
J. MOEN		02-18-21											
APPROVED		DATE											
V. CHULA		02-18-21											
FINISH		DATE		<table border="1"> <tr> <td>SIZE</td> <td>FSCM</td> <td>DRAWING NO.</td> <td>REV.</td> </tr> <tr> <td>D</td> <td>21316</td> <td>0588-0207</td> <td>A</td> </tr> </table>		SIZE	FSCM	DRAWING NO.	REV.	D	21316	0588-0207	A
SIZE	FSCM	DRAWING NO.	REV.										
D	21316	0588-0207	A										
		DATE											
DO NOT SCALE DRAWING		PRODUCTION		FILE NAME: 588207A1.DWG SCALE: NONE SHEET 1 OF 2									



HARDY PROCESS SOLUTIONS			
TITLE OUTLINE DRAWING, LOAD CELL MOUNT, HIDSBMT SERIES			
SIZE	FSCM	DRAWING NO.	REV.
D	21316	0588-0207	A
FILE NAME: 588207A1.DWG		SCALE: NONE	SHEET 2 OF 2